



Gas Control Equipment



## PREMIUM CYLINDER REGULATOR SERIES

# GCE ProStage®

*GCE ProStage® two-stage regulator fits to users working with Plasma and Hi-Tec Oxy-Fuel applications with need of very accurate outlet pressure and flow.*

GCE ProStage® regulators designed to provide accurate, fluctuation free delivery for precision applications such as shielding gas arc welding, CNC oxy-fuel cutting or laboratory use use of technical gases.

The first stage reduces the inlet pressure by over 90% and the large second stage diaphragm ensures accurate delivery pressure with keeping of enough flow for medium gas consumption applications.

GCE ProStage® regulators are precision built to latest EN ISO 2503 and EN ISO 7291 standards to provide maximum accuracy and safety. These regulators have the additional feature of being able to pipe away gases from the relief valve port, and comply with the stringent requirements of EN ISO 7291 even for strict manifold application.



# GCE ProStage®

## FEATURES

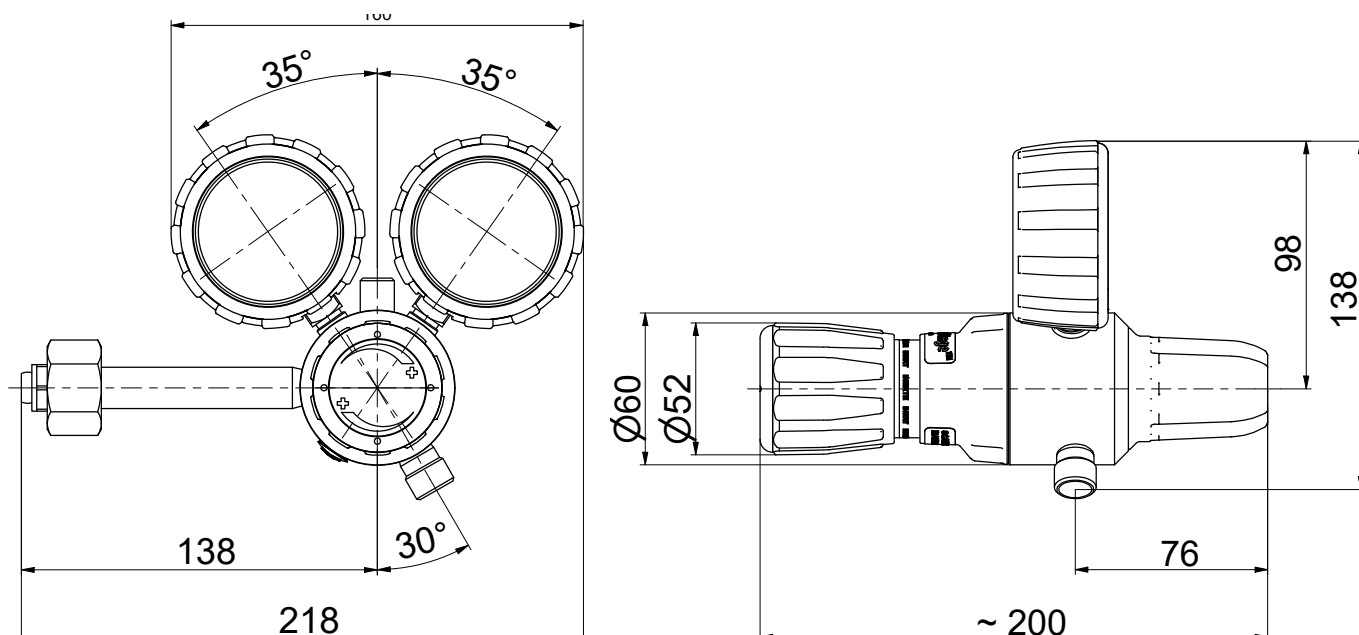
The GCE ProStage® two stage regulators provide a precise and constant control of outlet pressure regardless variations of the inlet pressure which occurs when the gas content in the gas cylinder decrease over time

- Two-stage regulation for **constant** outlet pressure, flow and stability
- Optimum safety through pre-set first stage pressure reduction
- High-performance regulator following specific needs of technical gas applications
- Highly accurate via sensitive adjustment of second stage outlet.
- **Robust** rubber gauge protection preventing damages and impurities
- **Compact, durable construction saving cost**
- **Safety protected** with integrated pressure relief valve for overpressure protection
- **Easy handling**, ergonomic
- Design according to ISO 5171& ISO 2503
- Excellent pressure/flow characteristics.
- Up to **300 bar** cylinder pressure
- European design and manufacture
- Available with NEVOC connection

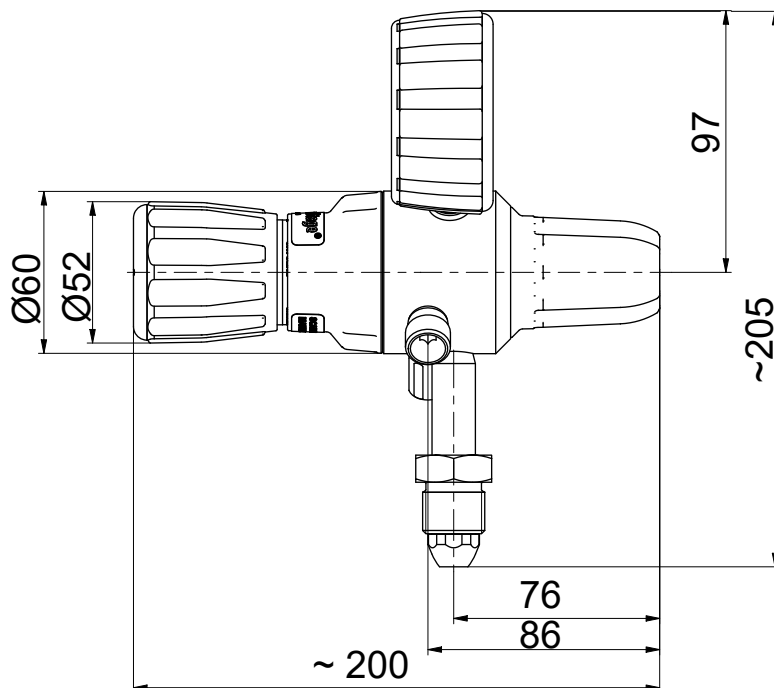
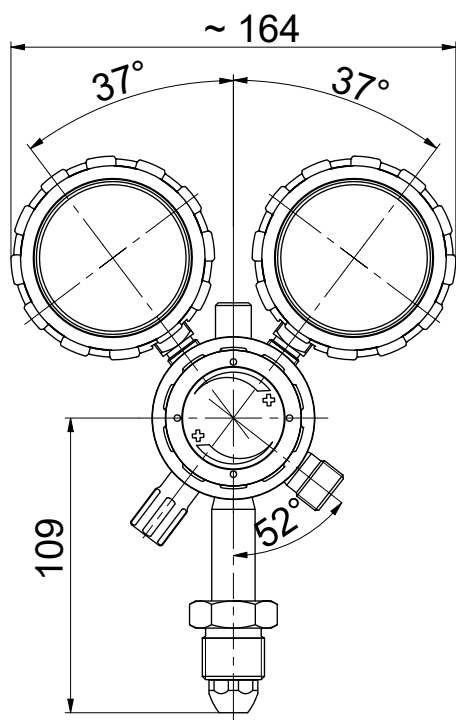
## TECHNICAL DATA

Gas	O <sub>2</sub> , N <sub>2</sub> , H <sub>2</sub> , He, Inert, Ar, Air, CO <sub>2</sub>
Body	Brass forged
Bonnet	Zn/Al alloy Die Cast
Stems, nuts and fittings	Brass
Diaphragm	EPDM
Seat sealing	PA
Inlet/ Outlet connection	Gas specific connection
Maximal inlet pressure	80, 200, 300 bar
Outlet pressure	0-1,5 bar 0-4bar 0-5 bar 0-7 bar 0-10 bar 0-20 bar
Temperature range	From -20°C to 60°C
Weight	Approx. according to gas variant: 2,4 kg
Pressure relief valve	Used in all variants

## DIMENSIONS SE

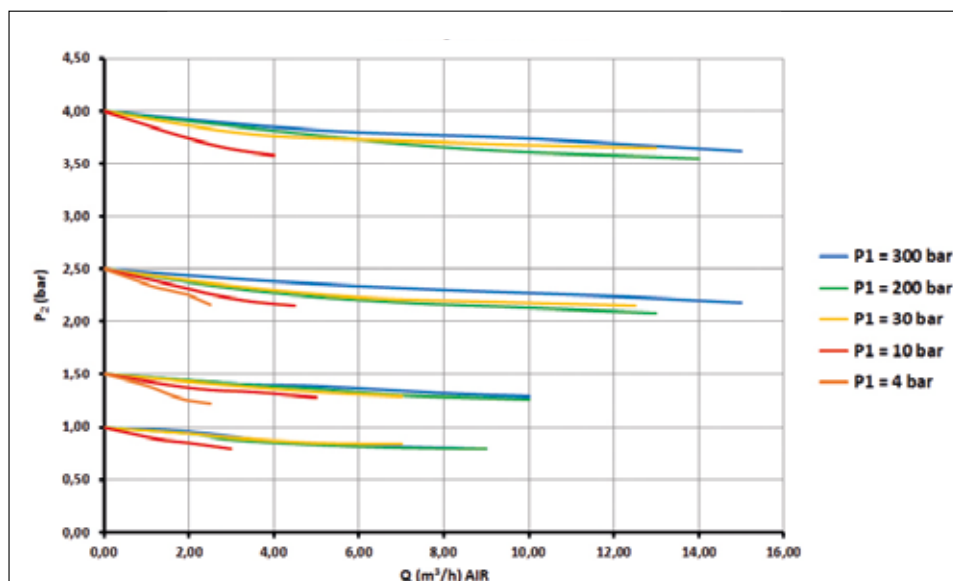


## DIMENSIONS BE



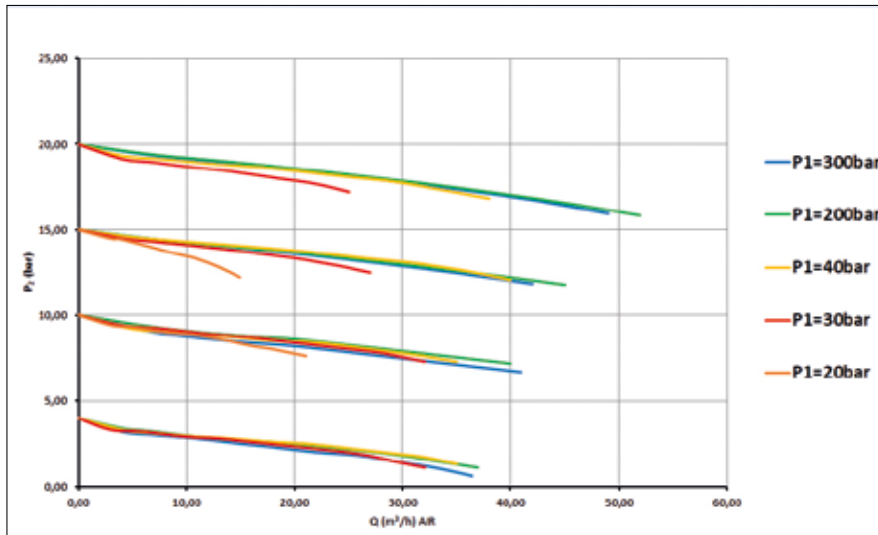
## FLOW CHARACTERISTICS

300/4 bar

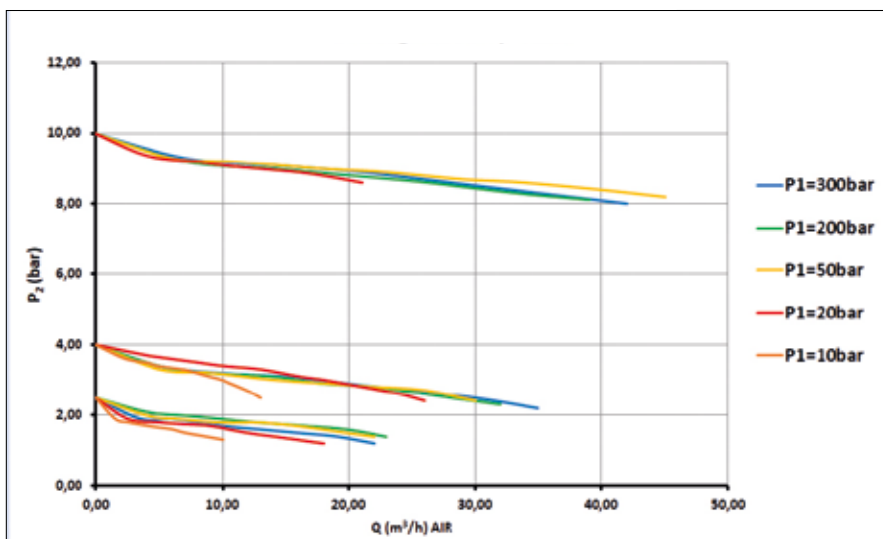


## FLOW CHARACTERISTICS

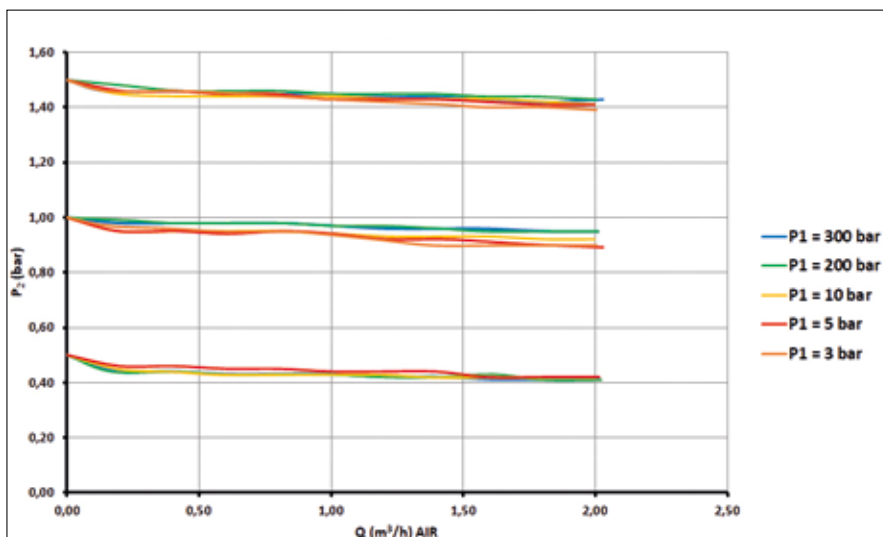
300/20 bar



300/10 bar



300/1,5 bar



# GCE ProStage®

## PRODUCT ADVANTAGES

**A two-stage regulator providing a precise and constant control of the outlet pressure**

**Exact gas pressure measurement.** Easy reading of the gas parameters on a three-unit scale with a contrast pointer.

**Advanced Gauge Cover cap** giving an optimal protection from results of potentially rough handling and contributing to even better safety of the operation.



Each regulator stage is protected by **pressure relieve valve**.



**Encapsulated regulating valve technology**  
Stabile gas outlet pressure and optimal flow performance for the gas application.

Optimum safety through **pre-set first stage pressure reduction**.

User friendly **Ergonomic Handwheel** for easy set-up.

Constant outlet pressure regardless of variations of inlet pressure.

Highly accurate via **sensitive adjustment of second stage outlet**. Safe operation thanks to **pre-adjusted pressure relief valve**.



**On-line Instructions for Use**  
accessible via QR code

## ORDERING INFORMATION

Art. Nr.	Gas	Inlet pressure	Outlet pressure	Inlet connection	Outlet connection	Inlet Position
PS0762143	Acetylene	25 bar	1,5 bar	G5/8" LH	G3/8" LH	BE
PS0762196	Acetylene	25 bar	1,5 bar	G5/8" LH	G3/8" LH	SE
PSF21210011	Argon	300 bar	0 - 32 l/min	G5/8"	G3/8"	BE
PSF21200019	Argon	300 bar	0 - 32 l/min	G5/8"	G3/8"	SE
PS0762153	Carbon dioxide	200 bar	10 bar	0.860 - 14 TPI	G3/8"	SE
PS0762197	Carbon dioxide	200 bar	4 bar	0.860 - 14 TPI	G3/8"	SE
PSF21200021	Helium	300 bar	10 bar	G5/8"	G3/8"	BE
PS0762151	Helium	300 bar	10 bar	G5/8"	G3/8"	SE
PS0762150	Helium	300 bar	4 bar	G5/8"	G3/8"	SE
PS0762149	Hydrogen	300 bar	10 bar	G5/8" LH	G3/8" LH	BE
PS0762148	Hydrogen	300 bar	4 bar	G5/8" LH	G3/8" LH	BE
PS0762147	Inert	300 bar	10 bar	G5/8"	G3/8"	BE
PS0762146	Inert	300 bar	4 bar	G5/8"	G3/8"	BE
PS0762181	Inert	300 bar	2 bar	G5/8"	G3/8"	BE
PSF21200015	Inert	300 bar	10 bar	G5/8"	G3/8"	SE
PSF21200016	Inert	300 bar	10 bar	W30 x 2	G3/8"	SE
PS0762182	Inert	300 bar	2 bar	G5/8"	G3/8"	SE
PS0762152	Nitrous oxide	100 bar	10 bar	W11/16" - 20 TPI	G3/8"	BE
PS0762145	Oxygen	300 bar	10 bar	G5/8"	G3/8"	BE
PS0762144	Oxygen	300 bar	4 bar	G3/8"	G3/8"	BE
PS0762199	Oxygen	300 bar	10 bar	G5/8"	G3/8"	SE
PSF21200012	Oxygen	300 bar	10 bar	W30 x 2	G3/8"	SE
PS0762198	Oxygen	300 bar	4 bar	G5/8"	G3/8"	SE

